

LED Flood Light Series Low Voltage

Installation Instructions

LED FLOOD LIGHT INSTALLATION INSTRUCTION

Low Voltage Series

RL10-12/24; RL20-12/24; RL-30-12/24; RL50-12/24; RL80-12/24; RL160-120-MUO; RL320-120-MUO

SAFETY INSTRUCTION

- Read instructions carefully before attempting to install fixture. Retain instruction for future reference.
- Disconnect power before installing or servicing. This fixture must be wired in accordance with the National Electrical Code and applicable local codes and ordinances.
- All wiring should be performed by a qualified electrician. This fixture is for outdoor use and should not be used in areas with limited ventilation or high ambient temperatures.

INSTALLATION-Surface Mounting

1. Do not remove any part of the fixture.
2. Specifications please see the label on fixture.
3. Use expansion bolts to secure the fixture on mounting surface (See Fig. 1).
4. Keep enough length wires to ensure adjusting angle unhindered.
5. Connect wires into wiring terminal as follows; Brown +, Blue -, **DO NOT REVERSE POLARITY & USE WATERPROOF CONNECTIONS.**

BROWN + positive
BLUE - negative

**CAUTION:
DO NOT REVERSE
POLARITY**

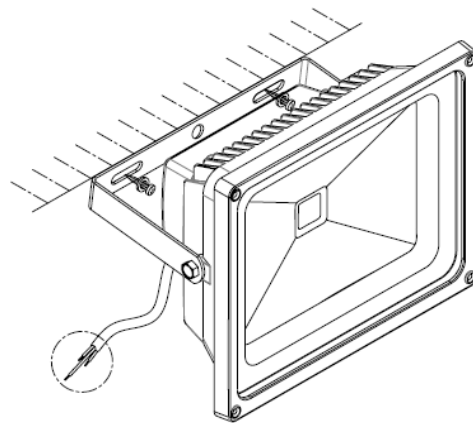


FIG. 1

All information contained within this documentation was derived from information and tests Rhyno LED Solutions Inc believes to be accurate and reliable; however, the accuracy and/or completeness of the information relied upon cannot be guaranteed. As the use and conditions of use are beyond the control of Rhyno LED Lighting Solution Inc, the purchaser/end user must determine the suitability of the product for the intended use and assumes all risk and liability.

Your Imagination Is Your Only Limitation